

Superstand HLT[®]



Prime Engineering
4202 W. Sierra Madre Ave
Fresno, CA 93722

(800) 827-8263 | (559) 276-0991
info@primeengineering.com
www.primeengineering.com



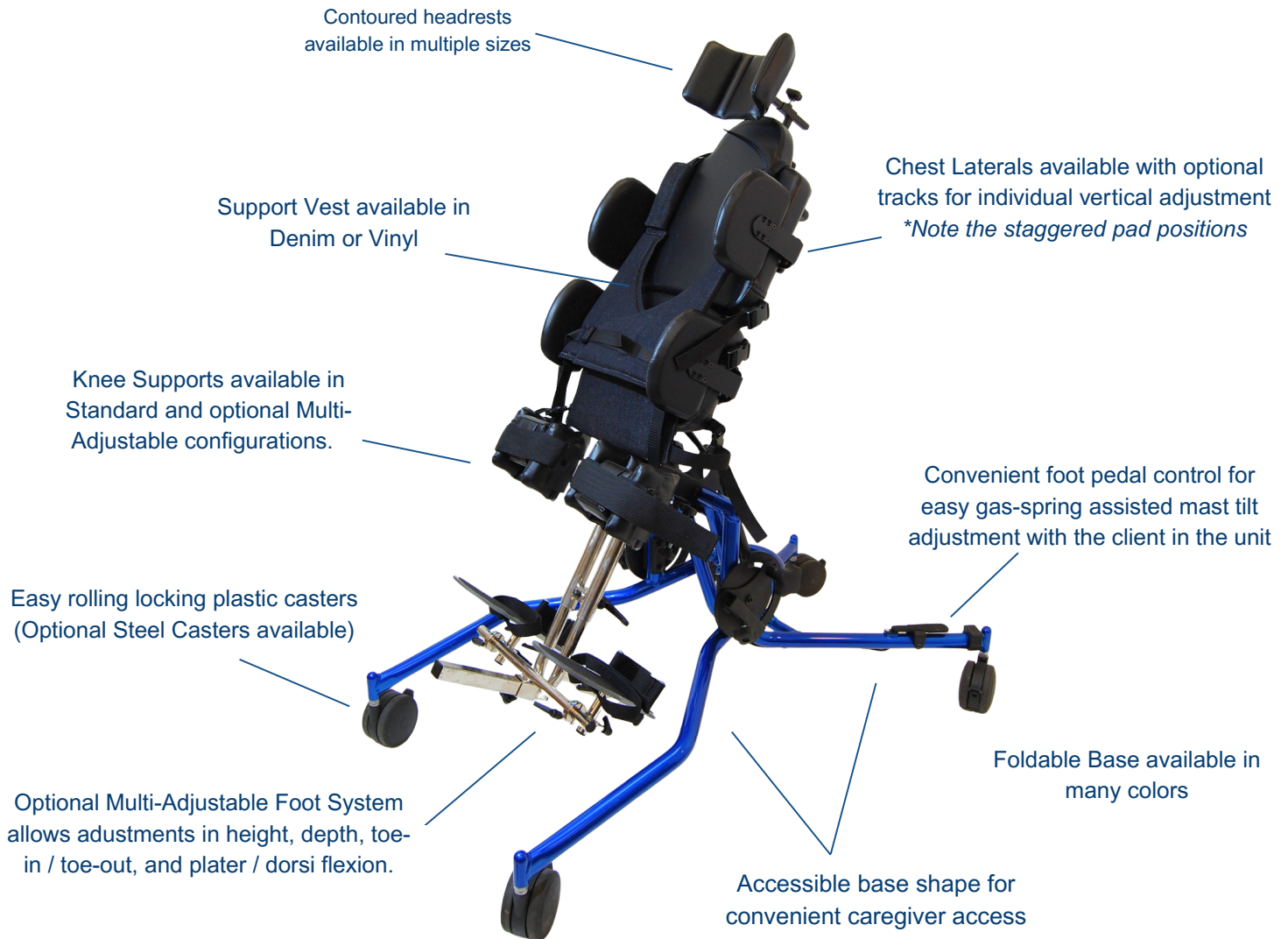
Superstand HLT[®]

Multi-position Stander is available in 3 sizes

The Superstand HLT is a highly versatile, all-in-one standing system that functions as a prone, supine, or upright stander, available in EI, Size 1, and Size 2 to accommodate clients from 20" to 60" in height. Tool-free adjustments, combined with exceptional hip alignment and trunk support, ensure precise custom positioning and growth adaptability.

- Superstand HLT provides our unique and convenient **High Load-in Transfer** positioning for easy transfers from a bed or other horizontal surface.
- Optional Abduction Leg System allows for leg positioning of up to 30 degrees of abduction.
- Optional Contracture Knee System delivers precise, individualized positioning to support the management and prevention of muscle tightness. Independent leg positioning addresses asymmetrical needs while promoting optimal alignment, maintaining range of motion, and providing a gentle, sustained stretch for improved comfort and long-term outcomes.
- Removable mast, tray and folding base allow for quick and easy disassembly for transportation.
- Interchangeable mast and base sizes for added fitment configurations and growth capability provide unmatched versatility.
- Supports are individually adjustable from head to toe for full customization to individual client needs





Supine position with tray



Horizontal position for loading



Prone position with tray



Chin Rest for Prone position

Superstand HLT®

Available in three sizes: EI, Size 1, Size 2

Standard equipment includes Hip and Chest Pads, Height and Depth Adjustable Knee System, 1-Piece Foot Platform, and Locking Plastic Casters. Many customizable options are available.

Specifications	HLT EI	HLT 1	HLT 2
Weight Capacity	65 Lbs.	125 Lbs.	150 Lbs.
Base Dimensions	W 19" x L 28"	W 21" x L 38"	W 25" x L 45"
Loading Height	27"	28"	29"
Client Height: Supine	20" - 38"	28" - 48"	40" - 60"
Client Height: Prone	22" - 40"	30" - 50"	40" - 62"



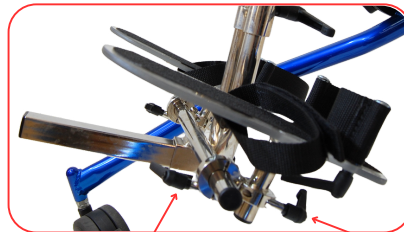
Base and mast sizes are semi-interchangeable. Smaller mast sizes are compatible with larger base sizes, but not visa-versa.

Easily disassembled for transport in less than a minute with no tools required



Convenient Folding Base

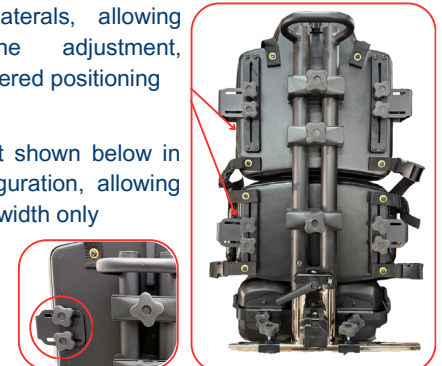
Optional Multi-Adjustable Foot System



Plantar/Dorsi Flexion Toe-in/Toe-out

Optional Sliding Tracks for Hip and Chest Laterals, allowing additional fine adjustment, including staggered positioning

Lateral support shown below in standard configuration, allowing adjustment for width only



Foot Pedal control for Gas Spring Assisted Mast Tilt



Abduction Leg System for up to 30 Degrees of abduction



Contracture Knee System

Frame Colors

Razzleberry, Candy Purple, Candy Orange, Neon Pink, Shocker Green, Candy Red, and Candy Blue
Also available in White and Black



Visit our website for more information and order forms



Prime Engineering
4202 W. Sierra Madre Ave
Fresno, CA 93722

(800) 827-8263 | (559) 276-0991
info@primeengineering.com
www.primeengineering.com

